

KX

KX121-3S

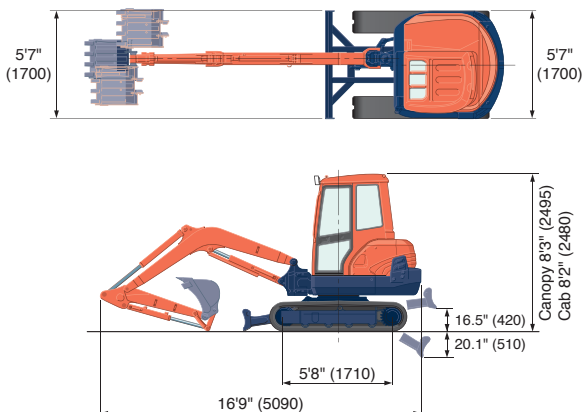
SPECIFICATIONS

Specifications

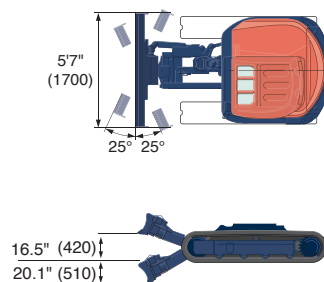
Model		KX121-3S	KX121-3S Angle Blade			
Type of ROPS / FOPS		Canopy / Cab				
Type of tracks		Steel / Rubber				
Engine	Model	Kubota V2203-M-E3				
	Output (SAEJ 1995 gross)	HP (kW)/rpm	40.5 (30.2) / 2250			
	Output (SAEJ 1349 net)	HP (kW)/rpm	39.0 (29.1) / 2250			
	Displacement	cu.in. (cc)	134.1 (2197)			
Dimensions	Overall length	ft.in. (mm)	16'9" (5090)			
	Overall height	Canopy / Cab	ft.in. (mm)	8'3" (2495) / 8'2" (2480)		
	Overall width	ft.in. (mm)	5'7" (1700)	5'7" (1700)		
	Min. ground clearance	in. (mm)	13.0" (330)			
Hydraulic system	Pump capacity	gpm. (ℓ /min)	25.0 (94.5)			
	Auxiliary hydraulic flow	gpm. (ℓ /min)	15.9 (60)			
Drive system	Max. breakout force	Bucket / Arm	lbs. (kgf)		8754 (3970) / 3947 (1790)	
	Travel speed	Low / High	mph (km/h)	1.7 (2.7) / 3.1 (5.0)		
	Max. traction force	Low speed	lbs. (kgf)	9867 (4485)		
	Tumbler distance	ft.in. (mm)	5'8" (1710)			
	Crawler length	ft.in. (mm)	7'2" (2175)			
	Shoe width	in. (mm)	13.8" (350)			
	Ground contact pressure	Canopy	Rubber / Steel	psi (kgf/cm ²)	4.41 (0.31) / 4.41 (0.31)	4.41 (0.31) / 4.56 (0.32)
		Cab	Rubber / Steel	psi (kgf/cm ²)	4.41 (0.31) / 4.55 (0.32)	4.41 (0.31) / 4.69 (0.33)
Swing system	Unit swing speed	rpm	9.4			
	Boom swing angle	Left / Right	degree	80 / 50		
Blade	Dimensions	Width	ft. in. (mm)	5'7" (1700)	5'7" (1700)	
		Height	in. (mm)	13.8" (350)	15.16" (385)	
	Max. lift above ground	in. (mm)	15.7" (400)	16.5" (420)		
	Max. drop below ground	in. (mm)	15.9" (405)	20.1" (510)		
	Max. swing angle	Left / Right	degree	-	25	
Tilt		degree	-	-		
Hydraulic oil (reservoir/system)		gal (ℓ)	12.0 (46) / 19.8 (75)			
Fuel reservoir		gal (ℓ)	16.9 (64)			
Operating weight (Including operator's weight 175 lbs.)	Canopy	Rubber / Steel	lbs. (kgf)	9061 / 9204	9436 / 9579	
	Cab	Rubber / Steel	lbs. (kgf)	9259 / 9403	9634 / 9778	

The company reserves the right to change the above specifications without notice. This brochure is for descriptive purposes only. Please contact your local Kubota dealer for warranty information. For your safety, Kubota strongly recommends the use of a Rollover Protective Structure (ROPS) and seat belt for almost all applications.

DIMENSIONS



Angle Blade



Unit: ft. in. (mm)